



**SAN ANTONIO WATER SYSTEM
LIFT STATION ELIMINATION PHASE II – LIFT STATION NO. 217 PROJECT
SAWS PROJECT NO. 09-2507
SOLICITATION NO. CO-00039**

ADDENDUM NO. 2

December 21, 2015

TO BIDDER OF RECORD:

The following changes, additions, and/or deletions are hereby made as part of the Contract Documents and/or Plans for the Lift Station Elimination Phase II – Lift Station No. 217 Project, for the San Antonio Water System, San Antonio, Texas, dated December 2015, as fully and completely as if the same were set forth therein.

1.0 Addenda Purpose

The purpose of this addendum is to issue a revision to the Contract Documents for Lift Station Elimination Phase II – Lift Station No. 217 Project (SAWS Job No. 09-2507)

2.0 Modifications to CONTRACT – Instruction to Bidders IB-1

A. REPLACE - First paragraph of Item No. 24, Page IB-7 with the following paragraph.

“To assist the San Antonio Water System Contracting Office in performing the bidder evaluation and subsequent recommendation of award, the apparent low bidder will submit the following items within one (1) day of the bid opening with the exception of the Record of Performance Item (c) which shall be submitted with the bid proposal. Failure to provide the required information within the specific time, may result in determining a non-responsive bidder.”

3.0 Modifications to CONTRACT – Supplemental Condition SS-1

A. REPLACE - Last sentence of Article V. – Contract Responsibilities with the following sentence.

“For the purpose of preparing this baseline schedule, all bidders shall assume a notice to proceed date of March 1st, 2016. Failure to include this baseline schedule with the bid documents may result in the bidder being considered non-responsive.”

4.0 Modifications to CONTRACT–Special Specification

A. INCLUDE – In its entirety the attached Special Specifications to SAWS Standard Specification Item 864 – Bypass Pumping. This section shall be a supplement to SAWS Specification Item No. 864.

5.0 Modifications to PLANS

- A. REPLACE – General Notes Sheet G2 with revised attached Sheet G2.
- B. REPLACE – Construction Sequence Plan Sheet G4 with revised attached Sheet G4.
- C. REPLACE – Diversion Gravity Main Plan & Profile 1 of 5 Sheet C2 with attached revised Sheet C2.
- D. REMOVE – Note 7 from Plan & Profile Sheets C2 – C6.

~~“7. Contractor shall submit boring plan to inspector and engineer for review and approval. (N.S.P.I.)*”~~
- E. REPLACE – General Details 1 Sheet C18 with revised attached Sheet C18.

6.0 Questions and Answers

Q1:

At station 0+52 the proposed 24” sewer main tie-ins into the existing structure at almost the same flowline elevation as the existing 33” line which will result in the 33” line needing a by-pass during this work.

- a.) Will SAWS allow to doghouse structures to be installed to minimize the length of the by-pass to SAWS?
- b.) Will SAWS add these two structures as pay items as is customary?
- c.) What type of pipe is the existing 33” sewer line?
- d.) Does SAWS have the age of the 33” sewer line?

Response:

- a.) *No, Doghouse structure will not be allowed.*
- b.) *Since no doghouse structures will be allowed, pay items will not be included.*
- c.) *Reinforced Concrete Pipe (RCP)*
- d.) *33” Sanitary Sewer Line was installed in 1963*

Q2:

What is the proposed award date for this project?

Response:

SAWS is currently anticipating to go to the Board for Construction Award during February.

Q3:

When is the proposed date of notice to proceed anticipated to be given?

Response:

Notice to Proceed date will depend upon Board Action and approval, along with Contractor submitting required documents and contract execution. For scheduling purposes Contractor shall use March 1st, 2016 as stated in Item No. 3 of this Addendum revision Supplemental Condition Article V.

Q4:

At station 0+52 the plans show to abandon existing 8” sewer main on the profile sheet. Is this the 8” line going south on El Centro Street? If it is not then where is it located?

Response:

8” sanitary sewer line to be removed is located south of existing manhole Sta. 0+52.4. Sewer line is located within same alignment as proposed 24” sanitary sewer line from Sta. 0+52.43 – Sta. 1+00. This sewer main removal has been further clarified in Item No.5 of this Addendum Modifications to Plans.

Q5:

Will the pipe in the bore require restraints?

Response:

Restraints shall be installed per Manufacturer’s Recommendation. Reference Item No. 5A Modifications to Plans of this Addendum for additional information.

Q6:

Can the bid opening be moved to the first full week in January?

Response:

Bid opening will remain as shown on Invitation to Bidders.

Q7:

Can you provide a contact at CPS who is familiar with the project for pricing of the temporary guidelines and electrical shut down?

Response:

Yes, Point-of-Contact SAWS interacts with at CPS:

- *John Offer, CPS Energy Utility Coordination, (210)353-2012 – Jeoffer@cpsenergy.com*
- *Claudia Valles-Tovar, CPS Energy Utility Coordination, (210)353-2226 – cvalles-tova@cpsenergy.com*

Q8:

Are the flowable fill quantities in bid item 6, for all areas of the project that will require this material, street cuts, manhole backfill etc.?

Response:

Bid Item #6 – Flowable fill is intended to be used for the flowable fill quantity on Sheet C2. All other flowable fill quantities are subsidiary to that line item.

Q9:

Please confirm that you want flowable fill for all Manholes as shown on the detail sheets.

Response:

Yes, flowable fill is required for all manholes per SAWS detail DD-852-01 on Sheet C18. Flowable fill will be paid by the line item to which it pertains.

Q10:

The detail for Manhole ring and covers is for a cam lock water resistant ring and cover, it was mentioned this morning that this project was in the floodplain, for which the specification calls for a water tight bolted down ring and covers. Please confirm we are bidding the correct ring and cover.

Response:

All MH's within the floodplain are to be water tight as noted in the Plans. Note has been added to SAWS Standard Details DD-852-07 shown in Sheet C18. Reference Item No. 5E Modifications to Plans of this Addendum for further clarification.

Q11:

Will the plugging of the force main just be at the ends and capped or will flowable fill have to be pumped in to the abandoned line?

Response:

The abandonment of the force main has been further clarified. Reference Item No. 5B Modifications to Plans of this Addendum for additional information.

Addendum No. 2
Lift Station Elimination Phase II – Lift Station No. 217 Project
SAWS Project No. 09-2507
Solicitation No. CO-00039

ALL BIDDERS SHALL ACKNOWLEDGE RECEIPT OF ADDENDUM NO. 2 IN THE BID FORM AND BY HIS/HER SIGNATURE AFFIXED HERETO AND TO FILE SAME AS AN ATTACHMENT TO HIS/HER BID. BID FORMS SUBMITTED WITHOUT THIS ACKNOWLEDGEMENT WILL BE CONSIDERED INFORMAL

12/21/2015
Date

V. Ryan Sowa
Signature



Kimley-Horn and Associates, Inc.
Texas Registered Engineering Firm F-928
601 NW Loop 410, Ste. 350
San Antonio, TX 78216

ACKNOWLEDGEMENT BY BIDDER

THE UNDERSIGNED ACKNOWLEDGES RECEIPT OF THIS ADDENDUM NO. 2 AND THE BID SUBMITTED HERewith IS IN ACCORDANCE WITH THE INFORMATION AND STIPULATION SET FORTH.

Date Signature of Bidder

Appended hereto and part of Addendum No. 2

1. SPECIAL SPECIFICATION - Special Provision to SAWS Item 864 – Bypass Pumping
2. PLANS – General Notes, Sheet G2
3. PLANS – Construction Sequence, Sheet G4
4. PLANS – Diversion Gravity Main Plan & Profile 1 of 5, Sheet C2
5. PLANS – General Details 1, Sheet C18

END OF ADDENDUM NO. 2

**SPECIAL PROVISION TO SAWS ITEM 864
BYPASS PUMPING**

The following information is supplemental to SAWS ITEM NO. 864.

864.1 DESCRIPTION: The work covered in this item is for the use of inflatable and mechanical pipe plugs. The use of inflatable / mechanical plugs in the water and sewer industry is the standard method to temporarily plug a pipe where permanent flow control devices are not available or are not operating as designed.

An inherent danger exists with all inflatable products. If any conditions with this equipment exist that may jeopardize the safety of workers or others, do not use it.

864.2 SUBMITTALS

For all projects requiring the use of pipe plugs on pipes the Contractor shall furnish a submittal containing manufacturer's product data, instructions, recommendations and a project Plug Use Plan (PUP). The PUP shall be submitted a minimum of two weeks prior to commencing any portion of the proposed scope of work.

The following shall be submitted with the PUP:

1. A cover letter containing the following information;
 - a. The project name and job number;
 - b. The name and address of the Contractor
 - c. Contact information of the Contractor's project manager, superintendent, foreman/supervisor, safety professional, etc.
 - d. Emergency (24/7) contact information for the staff responsible for operating and maintaining the plug. Include the name, phone number, email address and the person(s) onsite who is responsible for the project.
 - e. The name and contact information for the PUP preparer.

2. A Plug Plan
 - a. The plan shall show where on the project site the contractor intends to use pipe plugs, including:
 - b. manhole numbers;
 - c. the upstream and downstream pipe diameters and pipe materials;
 - d. pipe slopes;
 - e. pipe depth;
 - f. pipe flow direction;
 - g. known peak or surcharge flow data;
 - h. types of plugs to be used;
 - i. types of restraint used;
 - j. type of radio transmitting device.

3. Calculations
 - a. Provide calculations of the maximum anticipated head pressure on the plug and the resultant tensile force required to restrain the plug prior to plug inflation and during plug removal.
 - b. Provide calculations of the required inflation pressure of the plug.
 - c. Calculations shall be sealed and signed by a professional engineer licensed in the state of Texas in civil or mechanical engineering.
4. Plug selection
 - a. Detail the plug selection for each installation including given conditions, pipe size and anticipated pressure requirements. Include in this plan whether sleeves will be used.
5. Plug inspection:
 - a. Provide an inspection form detailing manufacturer's recommendations for plug inspection of plug condition before and after use; form to be signed by contractor staff responsible for plug installation prior to and after plug installation.
6. Monitoring plan
 - a. Provide a monitoring plan for observing the plug inflation pressure gauge and hoses. Monitoring shall be for 24-hours per day during the plug use duration.
 - b. Provide a written response plan for when the plug loses pressure.
 - c. Provide a plug retrieval plan.
7. Plug restraint details
 - a. Provide means and methods for anchoring, support and bracing appropriate for anticipated operating pressure conditions
 - b. Size restraint (cable or chain) based on calculated loads using a safety factor of 4.
 - c. Provide multiple tie-off locations for chain or wire cable restraint.
 - d. Rope of any kind is not an acceptable material for plug restraint.
8. Manufacturer's Literature
 - a. Provide manufacturer's literature on proper plug use and safety precautions, including available on-line training.

864.3 MATERIALS

1. Plugs
 - a. The Contractor shall provide all necessary equipment, plugs, hoses, gauges and necessary appurtenances to install the plug, maintain the plug during use and remove the plug at completion.

- b. All plugs must be in good condition, and shall not have visible damage such as cracks, holes, tears, cuts, punctures, abrasions, loose or damaged fittings, cracks in castings and excessive wear.
- c. All plugs 15-inches and larger shall have an air release valve for rupture protection.
- d. All plugs 24-inches in diameter and larger shall be equipped with a radio transmitter locating device that is activated by the plug losing air pressure. The locating transmitter device shall be effective to a depth of 65 feet, and have a battery life of 1,000 hours when operated in pulse mode after activation.
- e. All plugs 24-inches in diameter and larger shall have a protective sleeve.
- f. If the plug is damaged, do not use the plug and remove it from the job site.
- g. Contractor must be aware of the limitations associated with plugs.

864.4 INSTALLATION

1. Safety

- a. The Contractor shall be solely responsible for the safe and effective use of plugs, including the proper combination of inflatable/mechanical plugs to block the sewer flow at both the upstream and downstream ends of a sewer bypass.
- b. Inflatable plugs should be used only after receiving training as recommended by the manufacturer.
- c. An inherent danger exists with all inflatable products. If any conditions with this equipment exist that may jeopardize the safety of workers or others corrective actions should be taken prior to the equipment use.

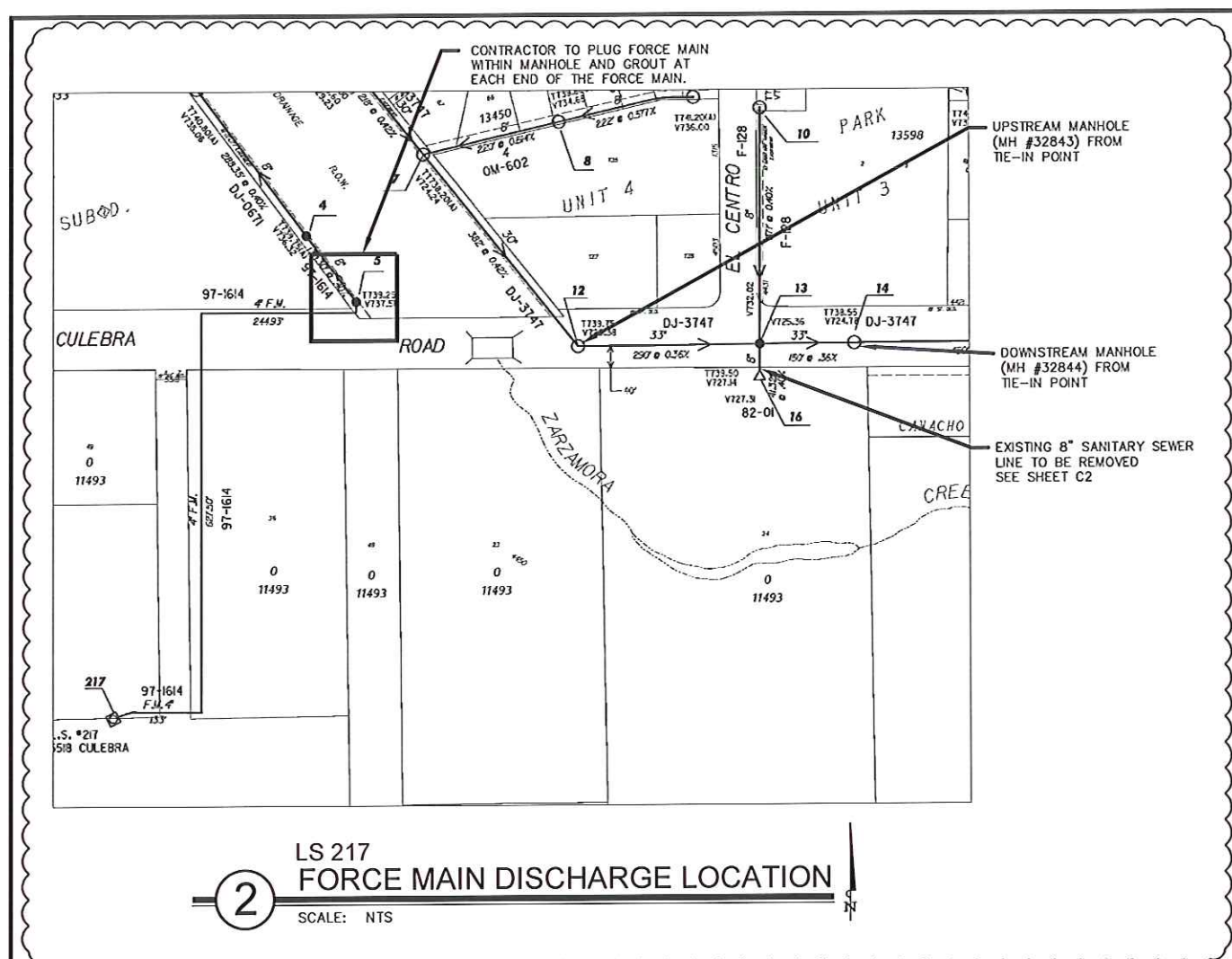
2. Plugs

- a. Plugs must be selected and installed in accordance with the manufacturers recommendations.
- b. Plugs must also be selected and installed according to the size of the line to be plugged.
- c. Spare plugs – Provide spare plugs on-site ready to be installed in the event a plug fails or becomes dislodged.
- d. Plugs will be in good condition and reviewed by the Contractor for defects that might lead to failure prior to being installed. The Contractor shall sign the Plug Inspection form.
- e. Plugs must be removed from the system upon completion of the work.
- f. Testing – plugs shall be tested prior to use. The inflatable plug shall be placed inside of a structurally sound pipe or conduit and inflated to its operating pressure and monitored for 24 hours to observe it holds the required pressure. This testing shall be performed in accordance with the manufacturer's recommendations. Inflating a plug when it is not constrained or overinflating the plug creates a risk of being injured by pieces of the plug exploding if it fails.
- g. Damages – The Contractor will be responsible for damages due to plugs being left in place or dislodged, including but not limited to:

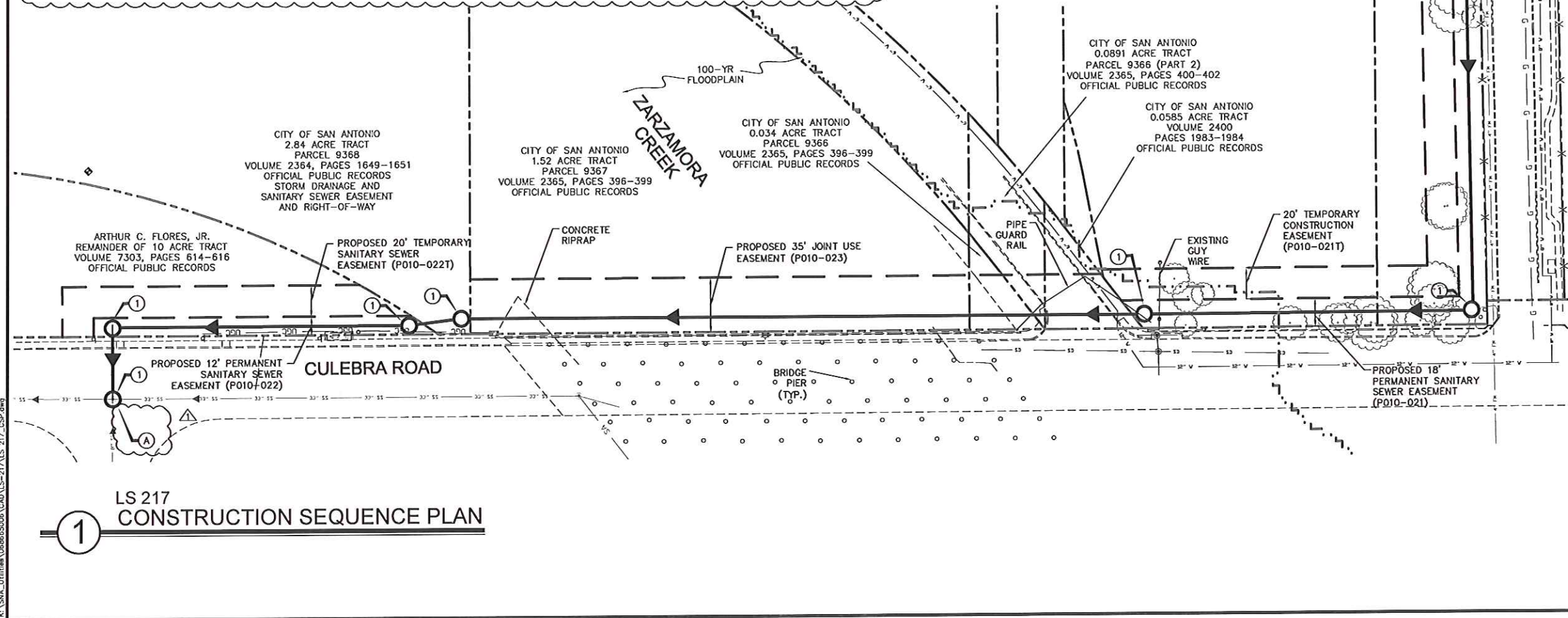
- i. Damages to SAWS infrastructure or private property.
- ii. Costs associated with sanitary sewer overflows including: regulatory fines; sewage and debris cleanup; debris disposal at an appropriate landfill; disinfection of all surfaces which have come in contact with the sewage.
- iii. Costs associated with locating and retrieving lost or dislodged plugs.

864.5 MEASUREMENT AND PAYMENT: Measurement of the work for pipe plugs shall be incidental to the work and will not have a separate pay item.

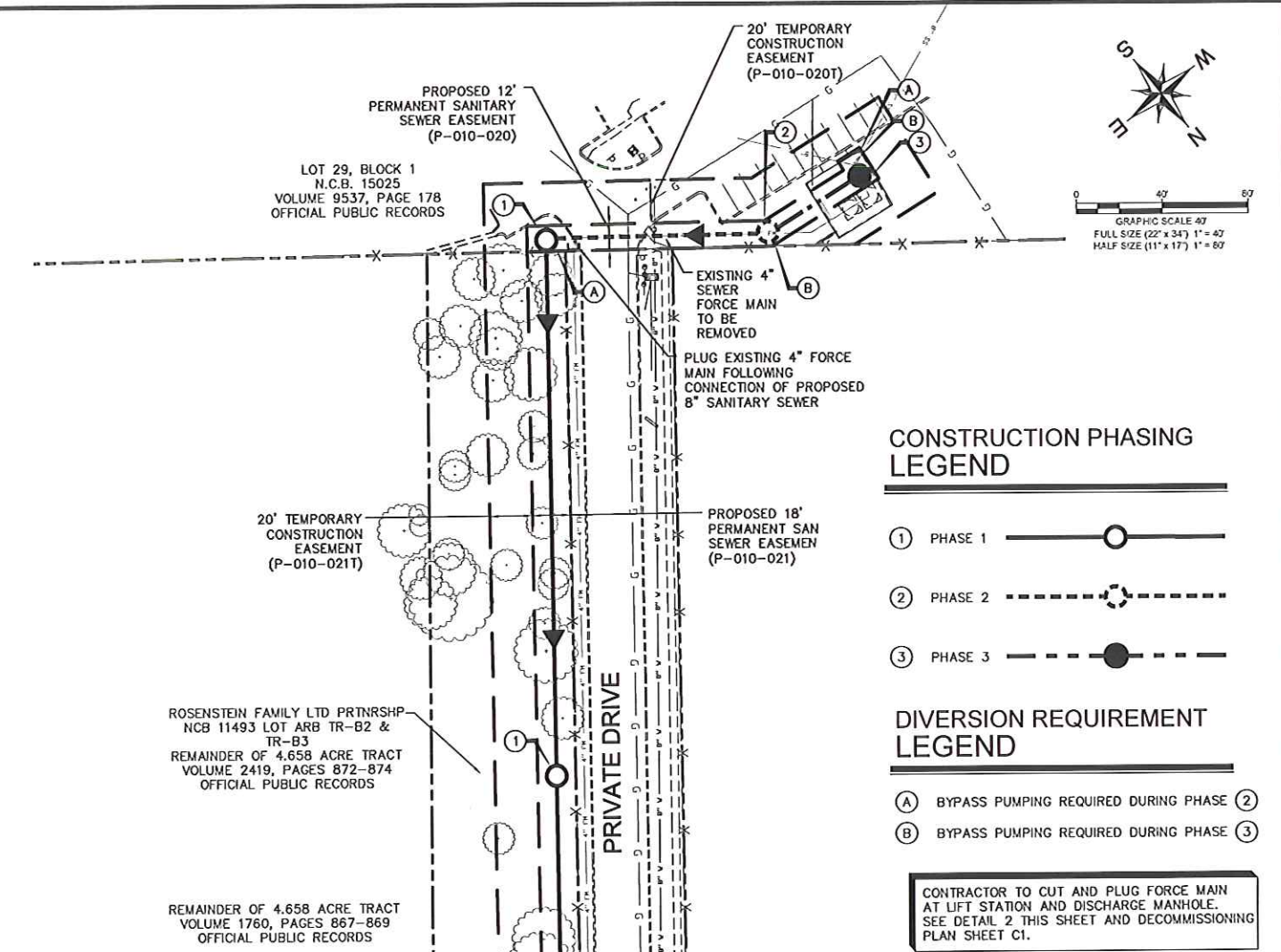
End of Special Provision



2 LS 217
FORCE MAIN DISCHARGE LOCATION
SCALE: NTS



1 LS 217
CONSTRUCTION SEQUENCE PLAN



- CONSTRUCTION PHASING LEGEND**
- ① PHASE 1
 - ② PHASE 2
 - ③ PHASE 3
- DIVERSION REQUIREMENT LEGEND**
- (A) BYPASS PUMPING REQUIRED DURING PHASE ②
 - (B) BYPASS PUMPING REQUIRED DURING PHASE ③

CONTRACTOR TO CUT AND PLUG FORCE MAIN AT LIFT STATION AND DISCHARGE MANHOLE. SEE DETAIL 2 THIS SHEET AND DECOMMISSIONING PLAN SHEET C1.

LEGEND

— G —	EXISTING EASEMENT	— — —	PROPOSED EASEMENT
— S —	PROP. SAN. SWR. LINE	— W —	EXISTING WATER LINE
— F —	EXISTING SAN. SWR.	— F —	EXISTING FORCE MAIN
— P —	EXISTING POWER POLE	— G —	EXISTING GAS LINE
— O —	EXISTING OVERHEAD ELEC. LINE	— P —	PROPERTY LINE
— U —	EXISTING UNDERGROUND ELEC. LINE	— M —	MILL & OVERLAY
— T —	EXISTING TELEPHONE/FIBER LINE	— A —	CUT & REPLACE ASPHALT-TREATED BASE
— C —	EXISTING UNDERGROUND CABLE	— C —	CUT & REPLACE CONCRETE SIDEWALK

Kimley»Horn
Texas Registered Firm, No. 928
601 NW Loop 410 Suite 350
San Antonio, TX 78216
Tel No. 210-541-9166
Fax No. 210-541-8699

No.	Revision	By	Date
ADDENDUM NO. 2		VRS	12/21/15

SAN ANTONIO WATER SYSTEM

LIFT STATION ELIMINATION PROJECT PHASE II LS-217
SHEET
CONSTRUCTION SEQUENCE PLAN

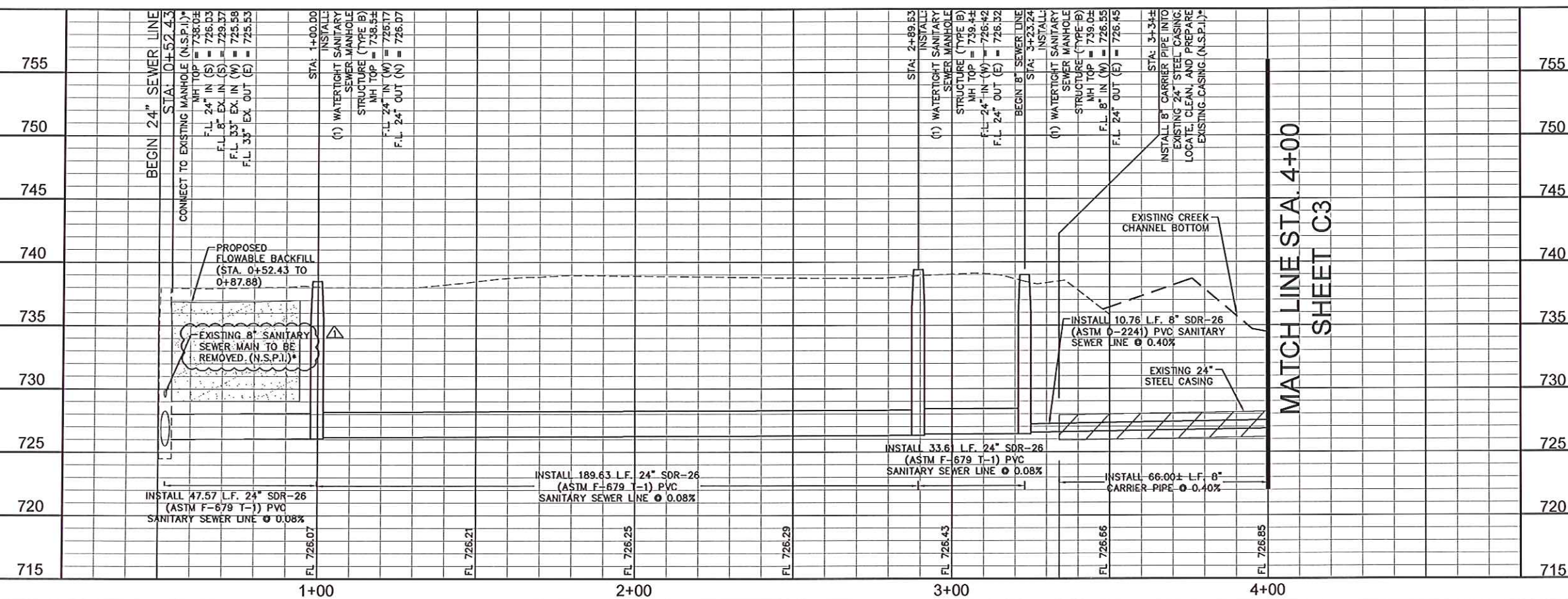
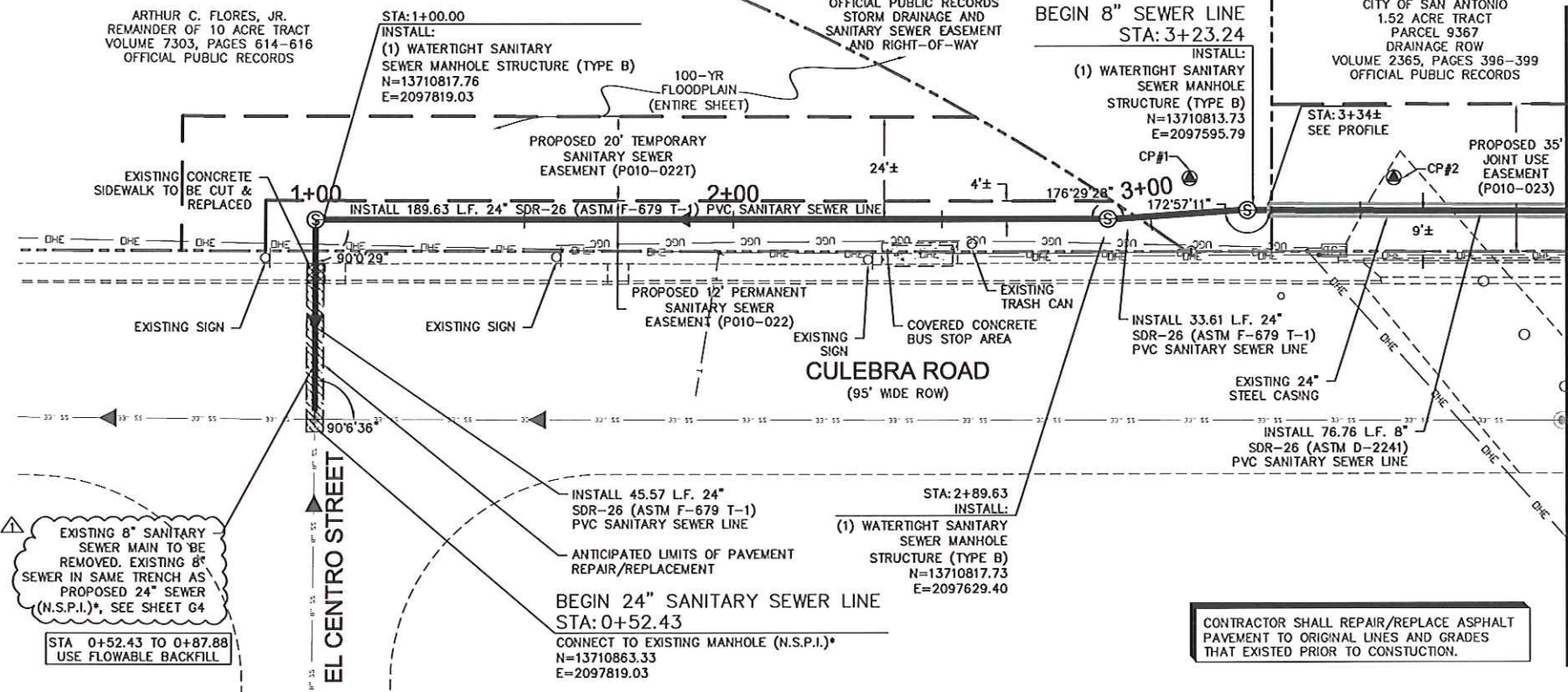
DATE: DECEMBER 2015	SAWS PROJECT NO. 09-2507	SHEET NO. G4
DESIGN: VRS	KHA PROJECT NO. 068665006	
DRAWN: EAD		
CHECKED: RJJ/FCW		

K:\SNA_Util\068665006_CAD\LS-217\LS_217_CSP.dwg

NOTES:

- TRENCH EXCAVATION SAFETY PROTECTION: CONTRACTOR AND/OR CONTRACTOR'S INDEPENDENTLY RETAINED EMPLOYEE OR STRUCTURAL DESIGN/GEOTECHNICAL/SAFETY/EQUIPMENT CONSULTANT, IF ANY SHALL REVIEW THESE PLANS AND AVAILABLE GEOTECHNICAL INFORMATION AND THE ANTICIPATED INSTALLATION SITES WITHIN THE WORKING AREA IN ORDER TO IMPLEMENT THE CONTRACTOR'S TRENCH AND EXCAVATION PROTECTION SYSTEMS, PROGRAMS, AND/OR PROCEDURES. THE CONTRACTOR'S IMPLEMENTATION OF THESE SYSTEMS, PROGRAMS, AND/OR PROCEDURES SHALL PROVIDE FOR ADEQUATE TRENCH EXCAVATION SAFETY PROTECTION THAT COMPLIES WITH AS A MINIMUM, OSHA STANDARDS FOR TRENCH EXCAVATION, SPECIFICALLY, CONTRACTOR AND/OR CONTRACTOR'S INDEPENDENTLY RETAINED EMPLOYEE OR SAFETY CONSULTANT SHALL IMPLEMENT A TRENCH SAFETY PROGRAM IN ACCORDANCE WITH OSHA STANDARDS GOVERNING THE PRESENCE AND ACTIVITIES OF INDIVIDUALS WORKING IN AND AROUND TRENCH EXCAVATION.
- LOCATION AND DEPTHS OF EXISTING UTILITIES SHOWN IN PLANS ARE APPROXIMATE ONLY. ACTUAL LOCATIONS AND DEPTHS MUST BE VERIFIED BY THE CONTRACTOR 48 HOURS PRIOR TO CONSTRUCTION AND IT SHALL BE THE CONTRACTOR'S RESPONSIBILITY TO LOCATE UTILITY SERVICE LINES AND TAPS AS REQUIRED FOR CONSTRUCTION AND TO PROTECT THEM DURING CONSTRUCTION. (N.S.P.I.)*
- CONTRACTOR SHALL KEEP STREETS CLEAN AND PROVIDE DUST CONTROL AT ALL TIMES. (N.S.P.I.)*
- CONTRACTOR SHALL DISPOSE OF ALL EXCAVATED MATERIAL IN ACCORDANCE WITH LOCAL AND STATE REGULATIONS. NO EXCAVATED MATERIALS SHALL BE PILED ON THE GROUND.
- WHEN NOT WORKING, CONTRACTOR SHALL PROTECT TRENCH AND EXCAVATIONS BY COVERING WITH STEEL PLATES WITH A MINIMUM THICKNESS OF 1/2-INCH. (N.S.P.I.); UNLESS TRENCHES ARE COMPLETELY COVERED AND COMPACTED AT THE END OF THE WORK DAY. BORING PIT AND RECEIVING PIT SHALL BE PROTECTED WITH TEMPORARY CHAIN LINK FENCE. (N.S.P.I.)*
- CONTRACTOR SHALL PROTECT TREES IN ACCORDANCE TO CITY OF SAN ANTONIO REQUIREMENTS. (N.S.P.I.)*
- CONTRACTOR SHALL SUBMIT BORING PLAN TO INSPECTOR AND ENGINEER FOR REVIEW AND APPROVAL (N.S.P.I.)*
- CONTRACTOR SHALL PROTECT EXISTING UTILITIES. ANY DAMAGE SHALL BE RESTORED BY THE CONTRACTOR AT HIS OWN EXPENSE AND TO INSPECTOR'S SATISFACTION. (N.S.P.I.)*

ESTIMATED QUANTITIES			
ITEM	DESCRIPTION	UNIT	QUANTITY
103.1	REMOVE CONCRETE CURB	LF	10
103.3	REMOVE CONCRETE SIDEWALKS AND DRIVEWAYS	SF	36
202.1	PRIME COAT	GAL	4
203.1	TACK COAT	GAL	2
208.1	SALVAGING, HAULING, AND STOCKPILING RECLAIMABLE ASPHALTIC PAVEMENT (3" DEPTH)	SY	16
413.1	FLOWABLE FILL (LOW STRENGTH)	CY	37
500.4	CONCRETE CURB AND GUTTER	LF	10
502.1	CONCRETE SIDEWALK - CONVENTIONALLY FORMED	SY	4
511.3	REPLACING WITH HOT MIX ASPHALTIC CONCRETE PAVEMENT (3" TYPE D AND 10" TYPE B)	SY	16
550.1	TRENCH EXCAVATION SAFETY PROTECTION	LF	282
848	8-INCH SDR-26 (ASTM D-2241) PVC SANITARY SEWER LINE (10'-14')	LF	11
848	24-INCH (ASTM F-679 T-1) PVC SANITARY SEWER PIPE (10'-14')	LF	271
850	SANITARY SEWER STRUCTURE (TYPE "B")	EA	3
856.2	8" CARRIER PIPE FOR JACKING, BORING, TUNNELING	LF	66
866	SANITARY SEWER TELEVISION INSPECTION (8"-15")	LF	77
866.2	SANITARY SEWER TELEVISION INSPECTION (18"-27")	LF	271



LEGEND

GAS MAIN	— G —	EXISTING EASEMENT	---
PROP. SAN. SWR. LINE	— S —	PROPOSED EASEMENT	---
EXISTING SAN. SWR.	— S —	EXISTING WATER LINE	— V —
EXISTING POWER POLE	— P —	EXISTING FORCE MAIN	— F —
EXISTING OVERHEAD ELEC. LINE	— O —	EXISTING GAS LINE	— G —
EXISTING UNDERGROUND ELEC. LINE	— U —	PROPERTY LINE	---
EXISTING TELEPHONE/FIBER LINE	— T —	MILL & OVERLAY HMA PAVEMENT	▨
EXISTING UNDERGROUND CABLE	— C —	CUT & REPLACE ASPHALT-TREATED BASE	▨
		CUT & REPLACE CONCRETE SIDEWALK	▨

Kimley»Horn
 Texas Registered Firm, No. 928
 601 NW Loop 410 Suite 350 San Antonio, TX 78216
 Tel No. 210-541-9166 Fax No. 210-541-8699

Professional Engineer
 Ryan Soma
 91171
 12/21/15

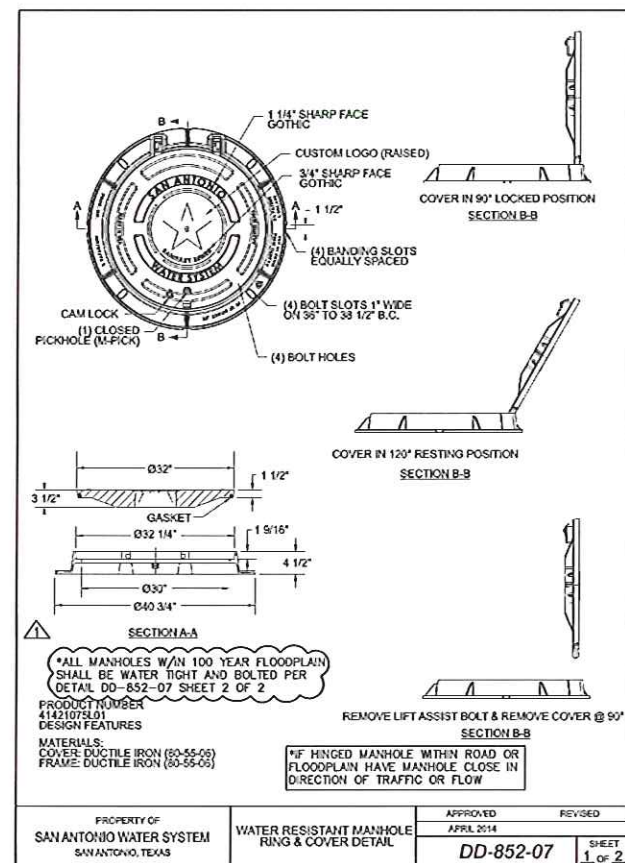
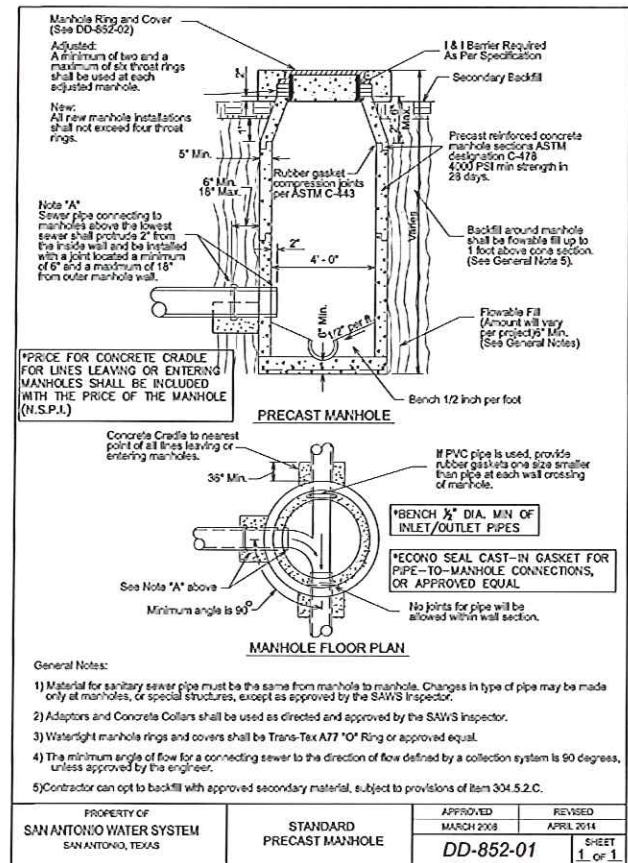
No.	Revision	By	Date
ADDENDUM NO. 2		VRS	12/21/15

LIFT STATION ELIMINATION PROJECT PHASE II LS-217 SHEET

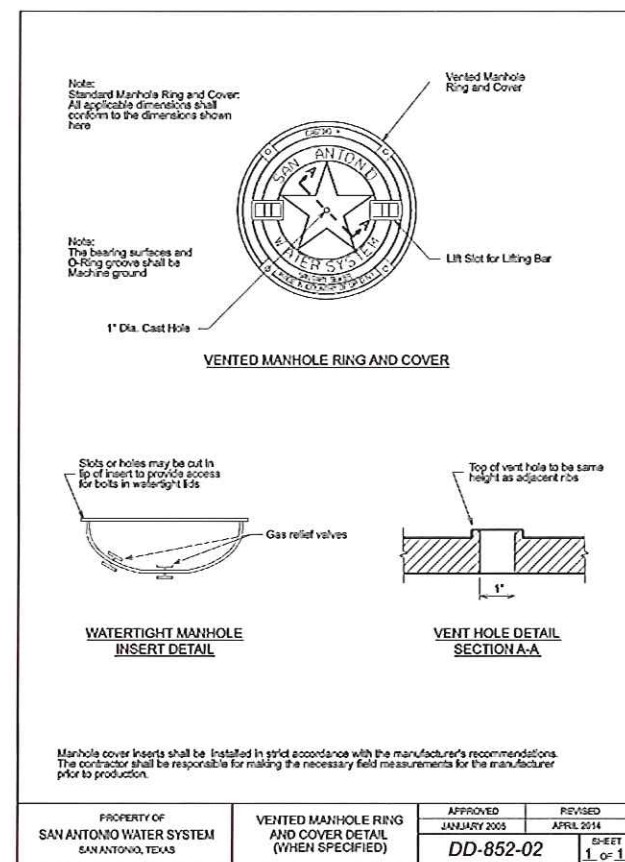
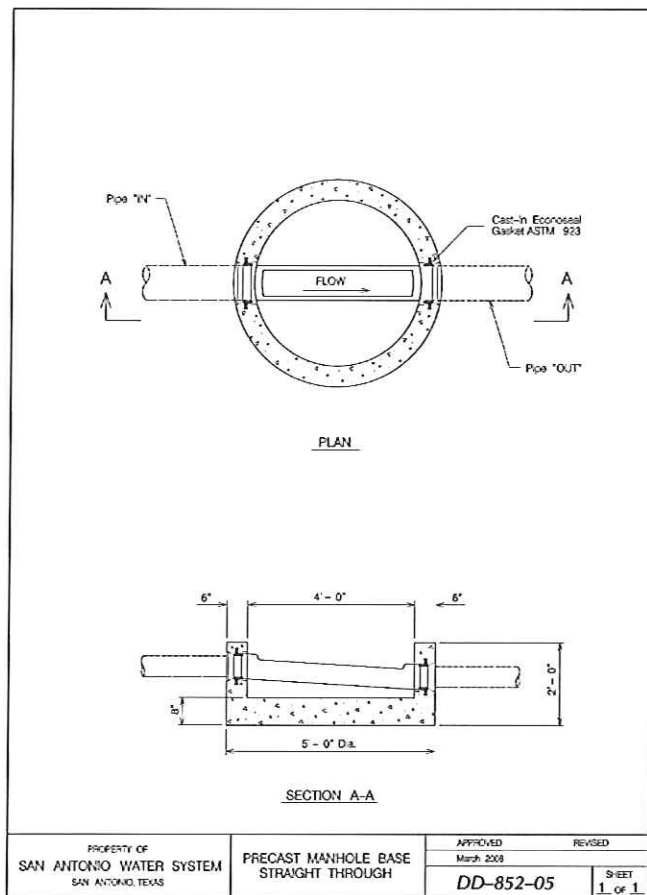
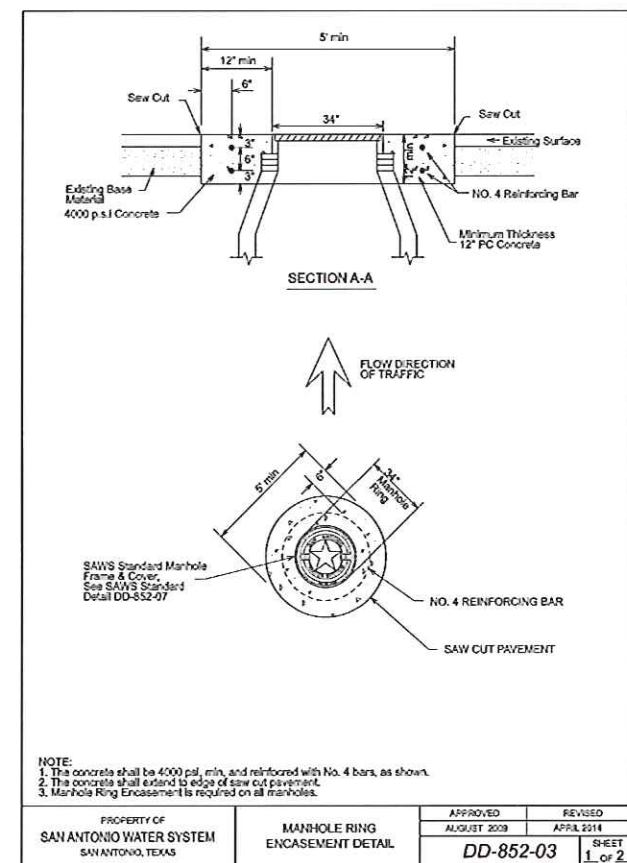
SAN ANTONIO WATER SYSTEM

DIVERSION GRAVITY MAIN PLAN & PROFILE 1 OF 5

DATE: DECEMBER 2015	SAWS PROJECT NO. 09-2507	SHEET NO. C2
DESIGN: VRS	KHA PROJECT NO. 068665006	
DRAWN: EAD		
CHECKED: RJJ/FCW		



*NOTE: FOR ALL UNPAVED AREAS MANHOLE TOPS SHALL BE 6" ABOVE GRADE.



Kimley»Horn
Texas Registered Firm, No. 928
601 NW Loop 410 Suite 350
San Antonio, TX 78216
Tel No. 210-541-9166
Fax No. 210-541-8699

No.	Revision	By	Date
▲	ADDENDUM NO. 2	VRS	12/21/15

**LIFT STATION ELIMINATION
PROJECT PHASE II LS-217**
SHEET
GENERAL DETAILS I

DATE: DECEMBER 2015	SAWS PROJECT NO. 09-2507	SHEET NO. C18
DESIGN: VRS	KHA PROJECT NO. 068665006	
DRAWN: JRS		
CHECKED: RJJ/FCW		